

MGISP-100B

Automated Nucleic Acid Extraction
and Purification System

Flexible to choose 4 types throughput



Flexible Efficiency
Safety Reliable



ORDER INFORMATION

Equipment

Cat. No.	Product name	Specification
900-000286-00	MGISP-100BRS Automated Nucleic Acid Extraction and Purification System	EA, CE RUO
900-000285-00	MGISP-100B Automated Nucleic Acid Extraction and Purification System	EA, CE IVD

Reagents

Cat. No.	Product name	Specification
1000020471	MGEasy Nucleic Acid Extraction Kit	96 preps, CE RUO
1000020314	Nucleic Acid Extraction Kit	96 preps, CE IVD

Consumables

Cat. No.	Product name	Specification
1000000723	250µL automated filter tips	10 boxes/case
1000004644	1.3ml 96 Well U-bottom Deepwell Plate	2 plates/bag
100-000016-00	Break-away 8 Strips PCR Tubes and Caps	10 plates/box (Tube), 120 strips/box (Cap)

CONTACT US

MGI Tech Co., Ltd

Building 11, Beishan Industrial Zone, Yantian District, Shenzhen

✉ MGI-service@genomics.cn 🌐 en.mgi-tech.com ☎ +86 4000-688-114

Copyright Disclaimer

The copyright of this brochure is solely owned by MGI Tech Co., Ltd.. The information included in this brochure or part of, including but not limited to interior design, cover design and icons, is strictly forbidden to be reproduced or transmitted in any form, by any means (e.g. electronic, photocopying, recording, translating or otherwise) without the prior written permission by MGI Tech Co., Ltd.. All the trademarks or icons in the brochure are the intellectual property of MGI Tech Co., Ltd. and their respective producers.



AUTOMATED NUCLEIC ACID EXTRACTION
AND PURIFICATION SYSTEM

MGISP-100B



Leading Life Science Innovation

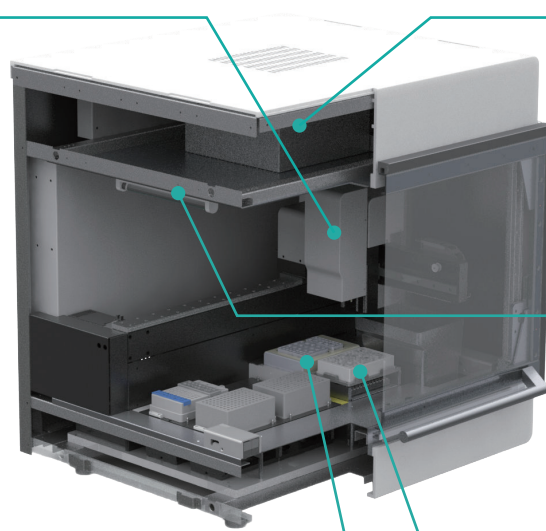
MGISP-100B

MGISP-100B is a liquid handling workstation integrated 8 channel pipette, which can be used for extraction. MGISP-100B can work with MGIEasy Nucleic Acid Extraction Kit and run 8/16/24/32 samples per run. It also can be used to set up RT-PCR after extraction automatically.

8 Channel Pipette

Accurate positioning, fast movement, high efficiency

Pipette Type	Fixed 8 channel pipette
Pipetting Range	2 μ L - 200 μ L
Pipetting Precision	2 μ L : <5% 200 μ L: <1%
Pipetting Accuracy	2 μ L : < \pm 10% 200 μ L: < \pm 1%
Positioning Precision Of Robotic Arm	\pm 0.1mm



HEPA system

Positive pressure
99.99% @ 0.3 μ m filtration efficiency

UV Disinfection

Integrated 2 UV lamps, ensure that each space of the instrument can obtain the same intensity of exposure

Radiation dose
higher than 100 000 μ W.s/cm²

Automatic up/down Magnetic Rack

The magnetic rack can be up/down automatically. Avoid the mechanical grip designed for more stable operation

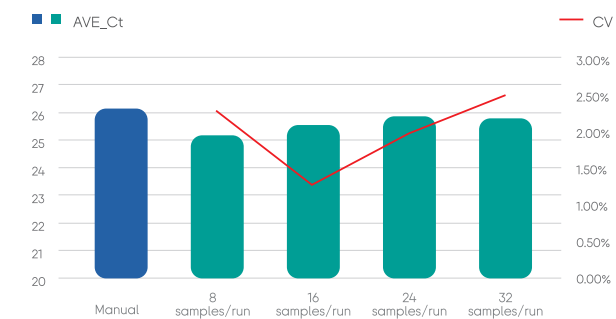
Temperature Control Module

Accurate temperature control, range from 4°C to 90°C.

Temperature range	4-90°C
Temperature accuracy	\pm 1°C at 55°C
Temperature uniformity	\pm 1°C at 72°C

- Flexible**
 - Each run can perform 8/16/24/32 samples within 40-80min.
 - Easy to operate, no manual intervention during extraction.
- Efficiency**
 - Integrate various functions, require less than 0.5m³.
 - Can perform extraction and RT-PCR setup, just cooperate with few common auxiliary device.
- Safety**
 - Use filter tips for avoiding cross contamination.
 - Enclosed safety protection door and automated extraction to protect operator safety.
- Reliable**
 - Good repeatability between run and run, stable extraction effect.
 - The lower limit of the pipetting range is 2 μ L. The accurate pipetting precision ensure better higher extraction efficiency.

PERFORMANCE

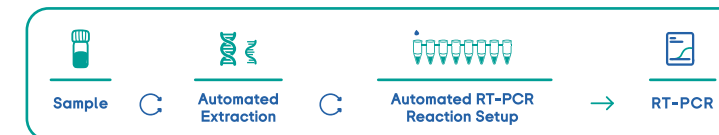


Manual Extraction	Automated Extraction
RNA virus extraction kit (silica membrane)	MGIEasy Nucleic Acid Extraction Kit + MGISP-100B

- Test method** Manual vs Automation
- Evaluation standard** RT-PCR
- Test samples** Simulated samples of throat swab containing novel coronavirus(RNA), dilute them in different concentrations.
- Test results** Ct value of fluorescent quantitative PCR acquired by using automation is lower than manual, that demonstrated the yield of virus RNA is higher than manual. Meanwhile, the reproducibility of different throughput is great, it's cv of CT value is less than 2.5%.

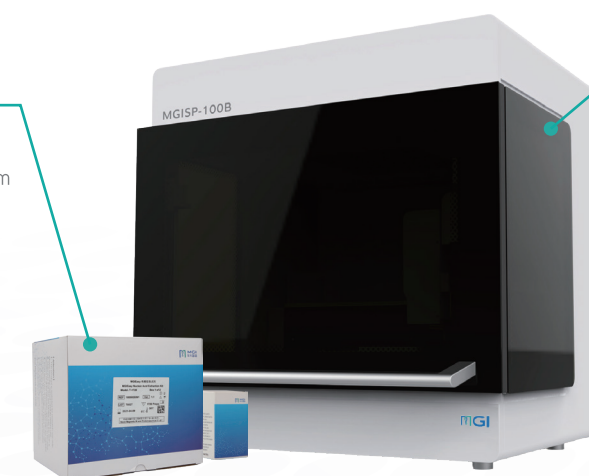
ONE-STOP SOLUTION

Provide instrument, consumables and kits for extraction



MGIEasy Nucleic Acid Extraction Kit

- Good extraction stability
- Compatible with automated system
- High nucleic acid recovery rate
- Adapt to most downstream applications: PCR, RT-PCR, Sequencing, etc



MGISP-100B

- Automated Nucleic Acid Extraction and Purification System
- Automate extraction step
- Automate RT-PCR reaction setup
- Compatible third part extraction kit*
- 40-80min can run 8-32 samples

*Need be verified first